

## RZ Ecosystem Partner Solution

# VK-RZ/A1R3

Arduino® UNO R3 Form Factor compliant



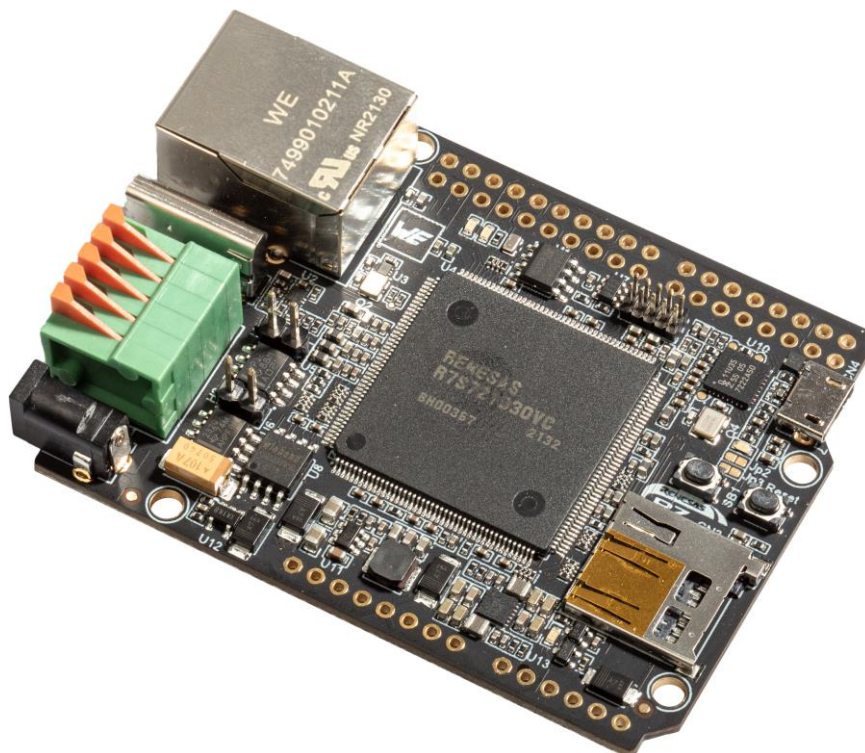
### 1. Solution Summary

**VK-RZ/A1R3** provides better and convenient alternative to Arduino® UNO R3 with great reusability of all available UNO's shields. Excellent solution for all kind of industrial, professional or hobby projects.

### 2. Features/Benefits

- Renesas RZ/A1LU ArmCortex®-A9 @ 400MHz
- RAM: 3MB (OnChip), FLASH: 16MB QSPI (OnBoard)
- 1x 24pin FPC Camera (VGA), 1x RJ45, 1x SDHI
- 1x USB 2.0 Type C, 1x CAN, 1x RS485, 2x LEDs, 1x Buttons
- ARM DAPLink (Debugger, Flasher & TTY)

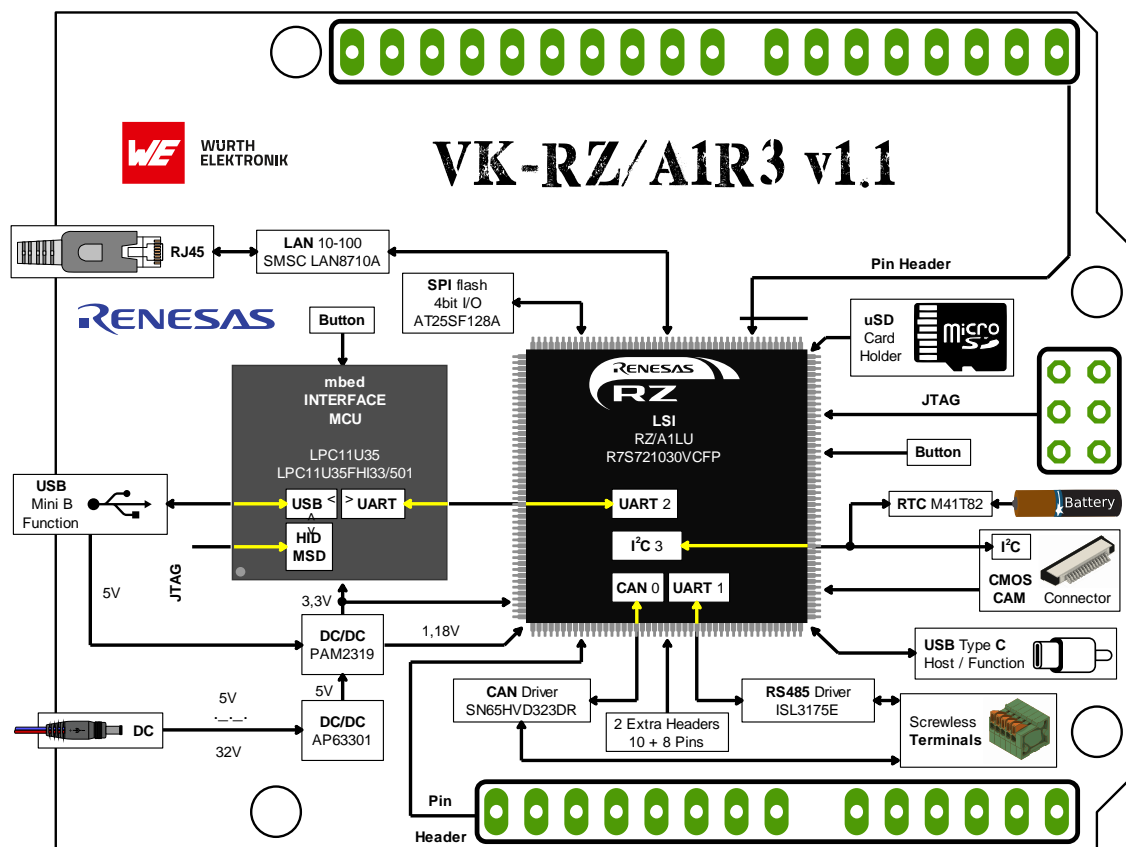
### 3. Graphics



### 4. Target Markets and Applications

- mbed Applications
- Home Automation
- Industrial Automation
- Robotics
- IoT Applications
- Surveillance Solution

## 5. Block Diagram



Learn more:

<https://vekatech.com/products/VK-RZA1R3>

Contacts:

Vekatech Ltd.

63, Nestor Abadzhiev str.

4023 Plovdiv

Bulgaria

Tel. +359 (0) 32 262362

Fax. +359 (0) 32 262362

E-Mail: [info@vekatech.com](mailto:info@vekatech.com)

Website: <https://www.vekatech.com>